

### Specifications

| Models                             | Z-30/20N |            | Z-30/20N RJ |            |
|------------------------------------|----------|------------|-------------|------------|
| Measurements                       | Metric   | US         | Metric      | US         |
| Working height maximum*            | 11.14 m  | 36 ft      | 10.89 m     | 35 ft 2 in |
| Platform height maximum            | 9.14 m   | 30 ft      | 8.89 m      | 29 ft 2 in |
| Horizontal reach maximum           | 6.53 m   | 21 ft 5 in | 6.25 m      | 20 ft 6 in |
| Up and over clearance maximum      | 3.86 m   | 12 ft 8 in | 3.86 m      | 12 ft 8 in |
| <b>A</b> Platform length           | 0.76 m   | 2 ft 6 in  | 0.76 m      | 2 ft 6 in  |
| <b>B</b> Platform width            | 1.17 m   | 3 ft 10 in | 1.17 m      | 3 ft 10 in |
| <b>C</b> Height - stowed           | 2.05 m   | 6 ft 8 in  | 2.05 m      | 6 ft 8 in  |
| <b>D</b> Length - stowed           | 5.11 m   | 16 ft 9 in | 5.31 m      | 17 ft 5 in |
| <b>E</b> Storage height            | 2.08 m   | 6 ft 10 in | 2.24 m      | 7 ft 4 in  |
| <b>F</b> Storage length            | 3.5 m    | 11 ft 6 in | 3.66 m      | 12 ft      |
| <b>G</b> Width                     | 1.19 m   | 3 ft 11 in | 1.19 m      | 3 ft 11 in |
| <b>H</b> Wheelbase                 | 1.58 m   | 5 ft 2 in  | 1.58 m      | 5 ft 2 in  |
| <b>I</b> Ground clearance - center | 0.09 m   | 3.5 in     | 0.09 m      | 3.5 in     |

### Productivity

|                           |                               |            |                               |            |
|---------------------------|-------------------------------|------------|-------------------------------|------------|
| Lift capacity             | 227 kg                        | 500 lbs    | 227 kg                        | 500 lbs    |
| Platform rotation         | 180°                          | 180°       | 180°                          | 180°       |
| Vertical jib rotation     | 139°                          | 139°       | 139°                          | 139°       |
| Horizontal jib rotation   | —                             | —          | 180°                          | 180°       |
| Turntable rotation        | 355° non-continuous           |            | 355° non-continuous           |            |
| Turntable tailswing       | zero                          | zero       | zero                          | zero       |
| Drive speed - stowed      | 4.8 km/h                      | 3.0 mph    | 4.8 km/h                      | 3.0 mph    |
| Drive speed - raised**    | 1.1 km/h                      | 0.68 mph   | 1.1 km/h                      | 0.68 mph   |
| Gradeability - stowed***  | 35%                           | 35%        | 35%                           | 35%        |
| Turning radius - inside   | 1.65 m                        | 5 ft 5 in  | 1.65 m                        | 5 ft 5 in  |
| Turning radius - outside  | 3.23 m                        | 10 ft 7 in | 3.23 m                        | 10 ft 7 in |
| Controls                  | 24 V DC proportional          |            | 24 V DC proportional          |            |
| Tyres - solid non-marking | 56 x 18 x 45 cm 22x7x17.75 in |            | 56 x 18 x 45 cm 22x7x17.75 in |            |

### Power

|                         |  |         |  |         |
|-------------------------|--|---------|--|---------|
| Power source            | 48 V DC (eight 6 V batteries<br>350 Ah capacity) |         | 48 V DC (eight 6 V batteries<br>350 Ah capacity) |         |
| Auxiliary power unit    | 24 V DC  | 24 V DC | 24 V DC  | 24 V DC |
| Hydraulic tank capacity | 15.1 L   | 4 gal   | 15.1 L   | 4 gal   |

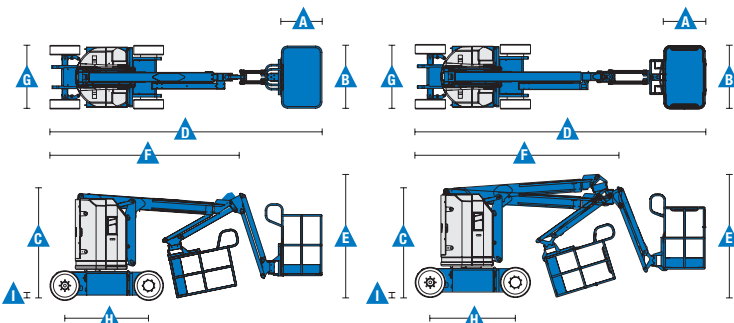
### Sound & Vibration Levels

|                                 |                       |                           |                       |                           |
|---------------------------------|-----------------------|---------------------------|-----------------------|---------------------------|
| Sound pressure level (ground)   | <70 dBA               | <70 dBA                   | <70 dBA               | <70 dBA                   |
| Sound pressure level (platform) | <70 dBA               | <70 dBA                   | <70 dBA               | <70 dBA                   |
| Vibration                       | <2.5 m/s <sup>2</sup> | <8 ft 2 in/s <sup>2</sup> | <2.5 m/s <sup>2</sup> | <8 ft 2 in/s <sup>2</sup> |

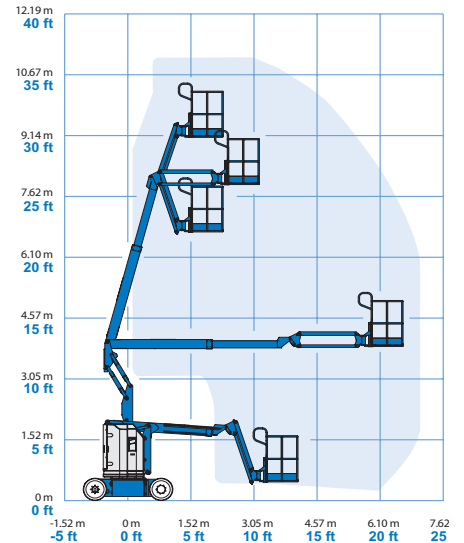
### Weight\*\*\*\*

|          |            |          |            |
|----------|------------|----------|------------|
| 6,428 kg | 14,170 lbs | 6,450 kg | 14,220 lbs |
|----------|------------|----------|------------|

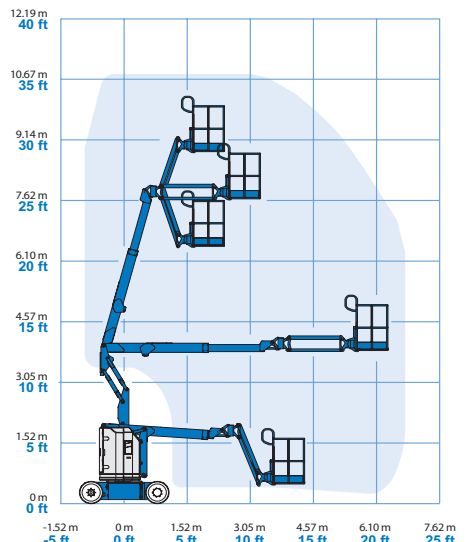
**Standards Compliance** EU Directives: 2006/42/EC - Machinery (harmonized standard EN280); 2004/108/EC (EMC); 2006/95/EC (LVD)



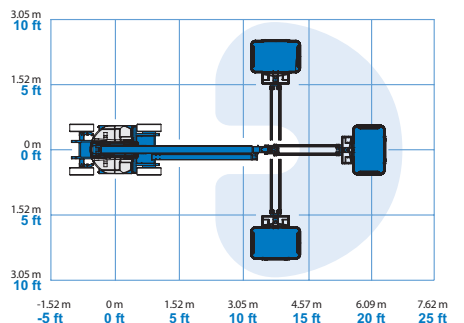
### Range Of Motion Z-30/20N



### Range Of Motion Z-30/20N RJ



### Jib Range of Motion Z-30/20N RJ



\* The metric equivalent of working height adds 2 m to platform height. U.S. adds 6 ft to platform height.

\*\* In lift mode (platform raised), the machine is designed to operated on firm, level surfaces only.

\*\*\* Gradeability applies to driving on slopes. See operator's manual for details regarding slope ratings.

\*\*\*\* Weight will vary depending on options and/or country standards.

### Features

#### Standard Features

##### Measurements

###### Z-30/20N

- 11.14 m (36 ft) working height
- 6.53 m (21 ft 5 in) horizontal reach
- 3.86 m (12 ft 8 in) up and over clearance
- Up to 227 kg (500 lbs) lift capacity

###### Z-30/20N RJ

- 10.89 m (35 ft 2 in) working height
- 6.25 m (20 ft 6 in) horizontal reach
- 3.86 m (12 ft 8 in) up and over clearance
- Up to 227 kg (500 lbs) lift capacity

##### Productivity

- 1.22 m (4 ft) jib boom with 139° working range
- Self-leveling platform
- Hydraulic platform rotation
- Proportional joystick controls
- Telematics-Ready Connector
- Thumb rocker steer
- Drive enable
- Chassis tilt drive function cut-out
- AC power cord to platform
- Horn
- Hour meter
- Tilt alarm
- Descent & travel alarms
- Flashing beacon
- 355° non-continuous turntable rotation
- Zero tailswing and front arm swing
- Dual parallelogram for vertical wall tracking
- Certified load sensor
- Lift Guard™ Contact Alarm

##### Power

- 48 V DC deep cycle battery pack
- 24 V DC auxiliary power
- Universal 30A battery smart charger
- Battery charge indicator
- Low battery voltage interrupt

#### Easily Configured To Meet Your Needs

##### Platform

- Steel 1.17 m (3 ft 10 in) (standard)

##### Jib Options

- Articulating 1.22 m (4 ft) jib boom
- 1.22 m (4 ft) horizontal rotating jib boom

##### Power

- 48 V DC (eight 6V 350 Ah capacity batteries)

##### Drive

- 2 x 4

##### Tyres

- Solid rubber non-marking

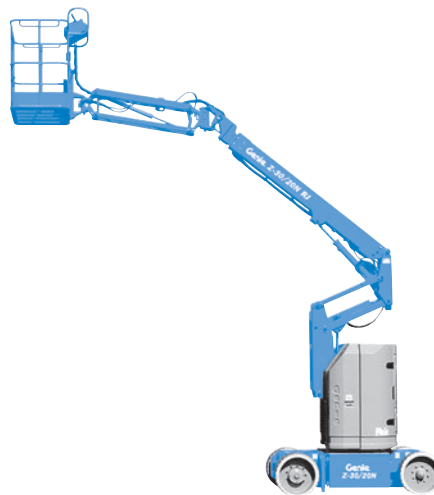
#### Options & Accessories

##### Productivity

- Platform auxiliary top rail
- Air line to platform
- Power to platform: plug, socket, with optional Residual-current Circuit Breaker with Overcurrent protection
- Work lights package (2 on chassis, 2 on platform)<sup>(2)</sup>
- Aircraft protection kit<sup>(1,2)</sup>: platform foam padding and padded disable system (except RJ model)
- Hostile environment kit<sup>(2)</sup>: cylinder bellow, boom wiper seals and platform control box covers
- Biodegradable hydraulic oil
- Chassis tilt lift function cut-out kit
- Track & Trace<sup>(3)</sup> (GPS unit providing machine location & operating information)
- Lockable platform control box cover
- Tool tray<sup>(4)</sup>

##### Power

- AGM maintenance-free batteries<sup>(2)</sup>
- Low temperature cut-out module



<sup>(1)</sup> Reduces load capacity of about 27 kg (60 lb). Not available with any other platforms nor options on the platform

<sup>(2)</sup> Factory-fit option only

<sup>(3)</sup> Includes a first 2 years subscription

<sup>(4)</sup> Aftermarket only



HDW Nederland B.V.  
www.hdw.nl.com

#### Worldwide Manufacturing And Distribution

Australia · Brazil · Caribbean · Central America · China · France · Germany · Italy · Japan · Korea · Mexico · Russia · Southeast Asia · Spain · Sweden · United Arab Emirates · United Kingdom · United States

Product specifications and prices are subject to change without notice or obligation. The photographs and/or drawings in this document are for illustrative purposes only. Refer to the appropriate Operator's Manual for instructions on the proper use of this equipment. Failure to follow the appropriate Operator's Manual when using our equipment or to otherwise act irresponsibly may result in serious injury or death. The only warranty applicable to our equipment is the standard written warranty applicable to the particular product and sale and we make no other warranty, express or implied. Products and services listed may be trademarks, service marks or trade names of Terex Corporation and/or their subsidiaries in the USA and many other countries. Genie is a registered trademark of Terex South Dakota, Inc. © 2020 Terex Corporation.