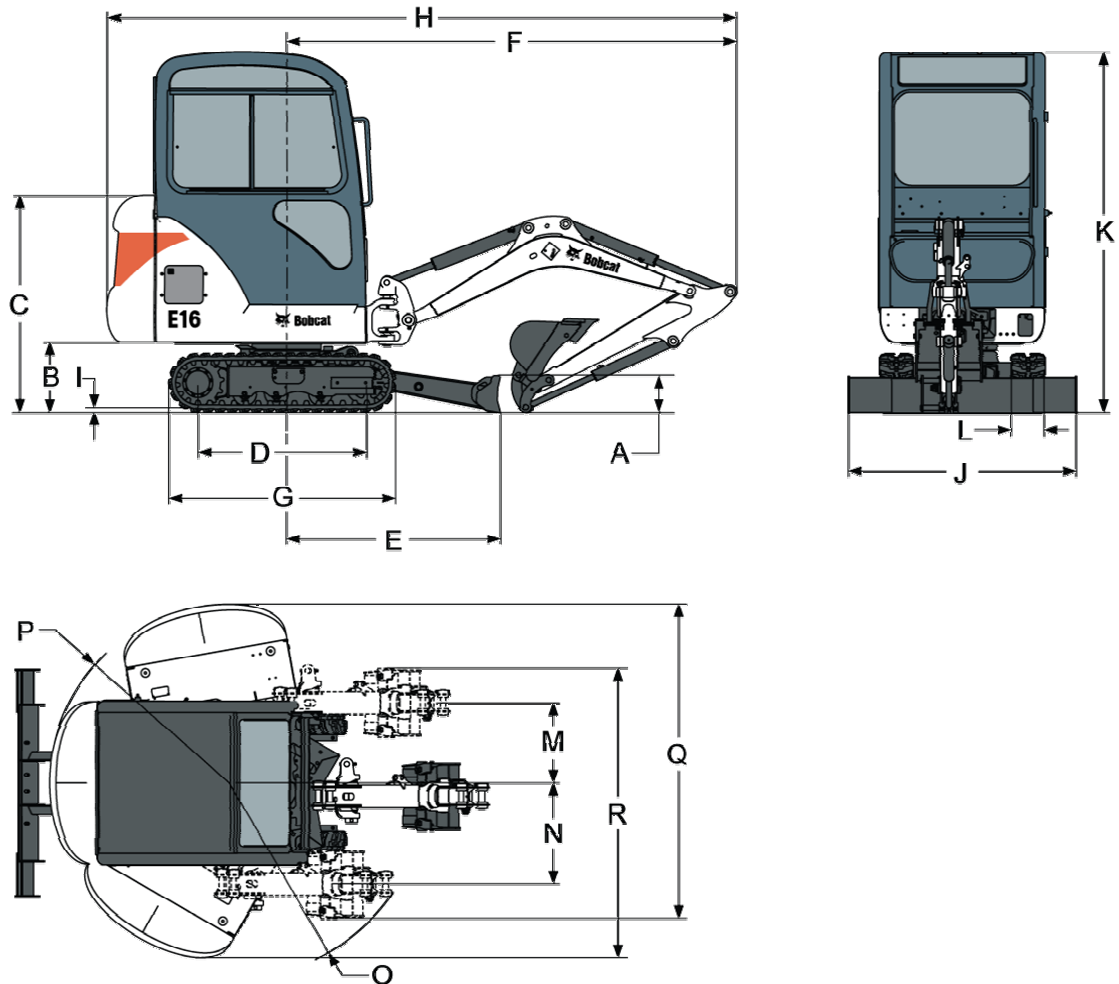


## Dimensions

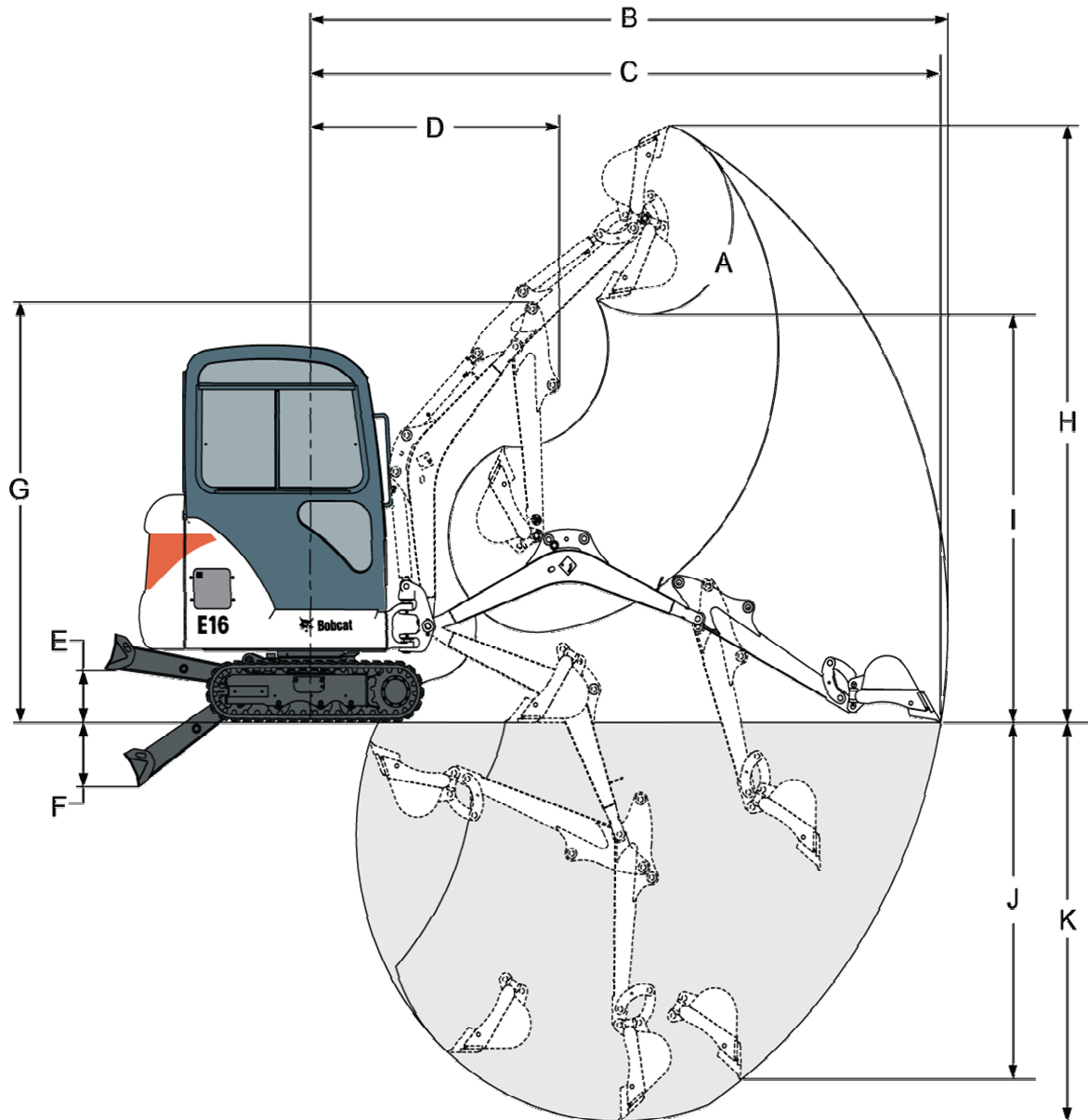


(A) Blade height	210 mm
(B) Clearance, upper structure to ground line	435 mm
(C) Ground line to top of engine cover	1314 mm
(D) Length of track on ground	1114 mm
(E) Machine centre line to blade	1257 mm
(F) Minimum radius in travel position	2856 mm
(F1) Minimum radius in travel position, long dipperstick	2836 mm
(G) Overall length of track assembly	1472 mm
(H) Overall length in travel position	3925 mm
(H1) Overall length in travel position, long dipperstick	3904 mm
(I) Track lug height	23 mm
(J) Blade width	980 mm
(J1) Blade width with extensions	1363 mm
(K) Height	2171 mm
(L) Track width	230 mm
(M) Machine centre line to working equipment centre line, max left-hand rotation	480 mm
(N) Machine centre line to working equipment centre line, max right-hand rotation	605 mm
(O) Minimum turning radius	1192 mm
(O1) Minimum turning radius with long dipperstick	1208 mm
(P) Swing clearance, rear	1068 mm

## Dimensions

(Q) Working width at maximum right-hand rotation	1873 mm
(R) Working width at maximum left-hand rotation	1722 mm

## Working Range



(A) Bucket pivot angle	196°
(B) Maximum reach of working equipment	4146 mm
(B1) Maximum reach of working equipment, long dipperstick	4319 mm
(C) Maximum reach at ground level	4101 mm
(C1) Maximum reach at ground level, long dipperstick	4276 mm
(D) Maximum working equipment radius with boom at maximum height and dipperstick fully retracted	1567 mm
(D1) Maximum working equipment radius with boom at maximum height and dipperstick fully retracted, long dipperstick	1586 mm
(E) Maximum blade height	308 mm
(F) Maximum blade depth	368 mm
(G) Maximum height of working equipment with dipperstick retracted	2564 mm
(H) Maximum bucket tooth height	3616 mm
(H1) Maximum bucket tooth height, long dipperstick	3743 mm
(I) Maximum dump height	2529 mm
(I1) Maximum dump height, long dipperstick	2656 mm
(J) Maximum depth of vertical wall which can be excavated	2139 mm

## Working Range

(J1) Maximum depth of vertical wall which can be excavated, long dipperstick	2310 mm
(K) Maximum digging depth	2422 mm
(K1) Maximum digging depth	2602 mm