

ATLAS Teamwork: ATLAS Teamwork:

AR 35/35 Super



Operation weight 2500 kg / 2875 kg
 Power 24.6 kW (33.5 HP) / 29.4 kW (40 HP)
 Shovel capacity 0.34 m³ / 0.40 m³

AR 40



Operation weight 3300 kg
 Power 29.4 kW (40 HP)
 Shovel capacity 0.50 m³

AR 50



Operation weight 3950 kg
 Power 42 kW (57 HP)
 Shovel capacity 0.70 m³

AR 60



Operation weight 4650 kg
 Power 47.5 kW (65 HP)
 Shovel capacity 0.85 m³

AR 65 Super



Operation weight 4800 kg
 Power 51.3 kW (70 HP)
 Shovel capacity 0.80 - 1.00 m³

AR 75



Operation weight 5600 kg
 Power 55 kW (75 HP)
 Shovel capacity 1.00 m³

AR 75 S



Operation weight 6000 kg
 Power 55 kW (75 HP)
 Shovel capacity 0.80 m³

AR 80



Operation weight 5750 kg
 Power 59.3 kW (81 HP)
 Shovel capacity 1.00 m³

AR 85



Operation weight 6700 kg
 Power 71.2 kW (97 HP)
 Shovel capacity 1.30 m³

AR 95/95 Super



Operation weight 7900 kg / 8100 kg
 Power 74.9 kW (102 HP) / 92 kW (125 HP)
 Shovel capacity 1.40 - 1.60 m³

Technical data without engagement.
 Subject to change without notice.

ATLAS
 WEYHAUSEN

F.Weyhausen GmbH & Co. KG
 Maschinenfabrik
 Visbeker Straße 35
 D-27793 Wildeshausen
 Telephone +49 (0)44 31/981-0
 Fax +49 (0)44 31/981-225
 www.radlader.com

01/2010

AR 40



Landscaping, agricultural sector,
 narrow construction sites
 Service weight: 3300 kg
 Power: 29.4 kW

ATLAS
 WEYHAUSEN

TECHNICAL DATA AR 40 (pre-series)

Engine

Make: Perkins Diesel engine 403D-15T
 Type: water cooled
 Power^{***}: set to 29.4 kW (40 hp) at 2800 min⁻¹
 Max. torque: 112 Nm at 1800 min⁻¹
 Stroke: 1496 cm³
 Cylinders: 3 in line
 Electrical System: Operating voltage 12V
 Battery 12V/66 Ah
 Alternator 14V/65 A
 Starter 12V/2,0 kW

Drive

- Output-regulated hydrostatic drive with pressure cut off and closed circuit acting on all 4 wheels
- Speed with standard tires:
 Operating speed range 0–6,5 km/h
 Road speed range 0–20 km/h
- 1st and 2nd hydraulic gear can be engaged under load, forward/backward travel also
- Forward/backward travel, speed ranges and off-position operational via ATLAS joystick
- Drive operated by accelerator and separate inching pedal for best distribution of the hydraulic power for thrust and lifting forces

Axles

Rigid axles with planetary reduction gears in wheel hubs. 45% - differential lock in front axle.

Brakes

Standard brake: Drum brake on front axle via cardan acting on all 4 wheels. Supplementary brake functions via inching pedal and hydrostatic drive acting on all 4 wheels.

Parking brake: Drum brake via funicular link acting on all 4 wheels with engine switch off.

Steering

- Fully hydraulic center pivot steering
- Front and rear wheels follow the same track
- Steering angle of 40° to each side, ±12° angular movement at rear of vehicle
- Operating pressure of steering hydraulics 175 bar
- Emergency steering function

Hydraulic system

- Gear pump for loading and steering hydraulics
- Priority valve favoring steering hydraulics
- 3rd steering section for loading hydraulics mechanically controlled by ATLAS joystick, including float position
- Operating pressure 275 bar
 Delivery of pump 39 l/min

Loading equipment

- Powerful and solid Z- kinematics with high tear out force
- Hydraulic quick change device
- Activation of all functions by ATLAS joystick
- Automatic mid position of joystick
- Parallel movement while using pallet forks
- Automatic shovel return to excavation position
- Locking device acc. to German StVZO for road travel
 Lifting 4 s
 Lowering 3,5 s
 Tipping 1 s

Standard equipment

- ATLAS canopy cabin with roll-bar protection
- Activation of all functions by ATLAS joystick
- Control lights for speed range, forward/backward travel
- Lights acc. to German StVZO for road travel
- Individually adjustable driver's seat
- Control lights for engine oil pressure, overheating, hydraulic oil temperature, battery power, parking brake, air filter
- Central dashboard with indicators for preheating, fuel, working hour meter

Options

- Main battery switch
- Special paintings and oils
- Cyclone dust separator
- Trailer coupling
- Sound absorbing ROPS cab including window to open can be fastened
- Hot water heating with heat exchange and 3-stage-fan
- Front windscreen ventilation, variable output
- Rear driving mirrors, foldable
- Windscreen wipe and wash unit in front and rear
- Sun visor, ceiling lamp, stow facility
- Heat protection glazing with large tinted screens
- Radio
- Warning beacon

More options upon request

Tires

Standard:
 15.0/55 - 17 – Multi-purpose tires for earth moving machines, particularly surface friendly, gardening and landscaping

Special tires:
 11.5/80 – 15.3 MPT– Multi-purpose tires for sand and gravel surface, woodland, roads and paths
 More special tires upon request

Fuel/oil capacities

Diesel:	70 l
Hydraulic oil:	28 l
Engine oil:	3 l
Front axle:	4 l
Rear axle:	3.5 l
Gear oil:	0,65 l
Cooling liquid:	6 l

Operating data

Shovel capacity acc. to SAE:	0.5 m ³
Turning radius (outer shovel edge):	3150 mm
Tear out force:	3170 daN
Torque:	2500 daN
Tipping load, straight:	2719 kg
Tipping load, articulated:	2422 kg
Lifting capacity at ground level:	2340 daN
Service weight:	3300 kg
Differing data for use of pallet forks (500 mm distance to center of gravity)*	
Static tipping load, articulated:	1875 kg
Lifting capacity:	1600 daN
Payload 80% even surface ^{**} :	1500 kg
Payload 60% uneven surface ^{**} :	1125 kg

* Travel with load only permitted close to the ground.
 ** According to ISO 8313 and EN 474-3
 *** According to ISO 14396, EU RL97/68/EC.

Please notice:
 Specified tipping- and payloads are only valid for AR 40 with mounted ROPS cabine, tyres 15.0/55 - 17 and standard bucket.

Specific gravity for material handling

material	weight (t/m ³)
Construction	
concrete	1.9
soil (dry)	1.5
soil (watery)	2.0
rock (fill)	2.4
granite	1.8
limestone	1.6
gravel (dry)	1.9
gravel (watery)	2.1
loam	1.7
plaster	2.2
sand (dry)	1.9
sand (watery)	2.1
sandstone	2.4
shale	2.2
sediment	2.1
crushed stone	1.5
de-icing salt	1.3
clay	1.6
cement	1.7
clinker (stacked)	1.8

Industry

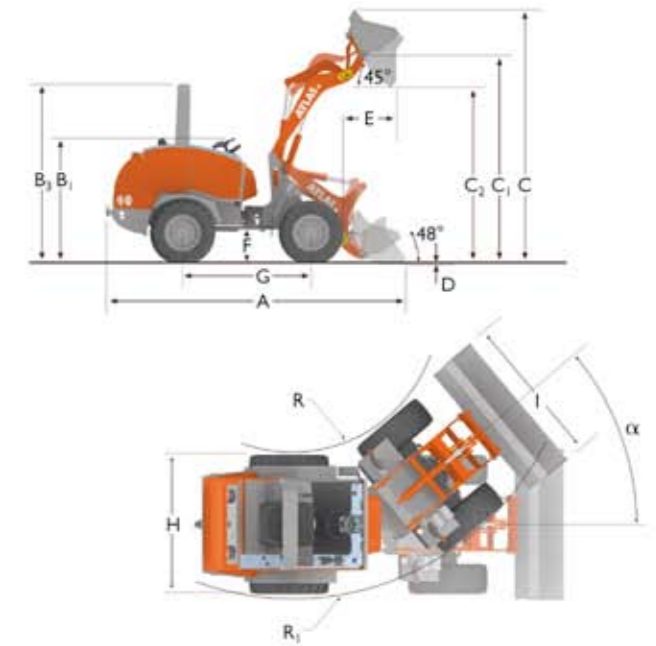
ember	0.7
brown coal briquette	0.8
ferrous product	7.8
iron ore	2.3
cullet	1.9
gas coke	0.4
timber	0.8
mineral coal	1.2
paper	0,9
slag	1.0
slag concrete	2.7

Landscaping, agriculture

agricultural crop	0.7
grain	0.6
hay	0.3
potash	1.1
compost	1.0
flour	0.5
clay (watery)	2.3
phosphate fertilizer	2.2
turf (watery)	1.1
turf (dry)	0.4
mineral fertiliser	1.0

Technical data with standard shovel.

	Tyre 11.5/80-15.3	Tyre 15.0/55 - 17
A	4370	4355
B ₁	1660	1685
B ₂	2310	2335
B ₃	2350	2375
C	3595	3615
C ₁	2920	2940
C ₂	2320	2340
D	40	20
E	515	502
F	380	400
G	1715	1715
H	1375	1500
I	1550	1550
R	1670	1605
R ₁	3085	3150
All specifications in mm		
α	40°	40°



Differing data ROPS-cabin



Technical data with pallet forks.

	Tyre 11.5/80-15.3	Tyre 15.0/55 - 17
A	4855	4855
B ₁	1660	1685
B ₂	2310	2335
B ₃	2350	2375
C	3305	3325
C ₁	2705	2725
C ₂	1160	1180
D	95	75
E	260	245
E ₁	1025	1010
E ₂	565	565
F	380	400
G	1715	1715
H	1375	1500
I	1030	1030
R	1670	1605
R ₁	3085	3150
All specifications in mm		
α	40°	40°

