

**Performance**

Lifting height — on stabilisers	13656.0 mm
Lifting height — on tyres	12787.0 mm
Rated capacity	3500 kg
Capacity (at max. height on stabilisers)	3500 kg
Capacity (at max. height on tyres)	400 kg
Capacity (at max. reach on stabilisers)	1000 kg
Capacity (at max. reach on tyres)	150 kg
Max. reach on tyres	9449.0 mm
Crowding force	12300 daN

**Weights**

Weight (unladen)	9200 kg
------------------	---------

**Traction**

Standard tyres	BASIC TYRES 400/80-24 20PR
2nd gear / low range	8.5 km/h
2nd gear / high range	30.0 km/h

**Drive System**

Main drive	Hydrostatic motor
Transmission	Hydrostatic with electronic regulation

**Engine**

Make / Model	DEUTZ / TCD 3.6 L4
Fuel	Diesel
Cooling	Liquid
Rated power (ISO 14396:2002) at 2300 RPM:	74.4 kW
Maximum torque at 1600 RPM:	410.0 Nm
Number of cylinders	4
Displacement	3.62 L

**Hydraulic System**

Pump type	Gear pump with LS valve
-----------	-------------------------

**Cycle Times**

Lift time - no load	12.8 s
Lower time - no load	8.4 s
Telescope in time at max. reach - no load	12.9 s
Telescope in time at max. height - no load	11.3 s
Telescope out time at max. reach - no load	18.8 s
Telescope out time at max. height - no load	18.8 s

**Brakes**

Engine braking	Hydrostatic
Parking and emergency brake	Negative brake with hydraulic command

**Fluid Capacities**

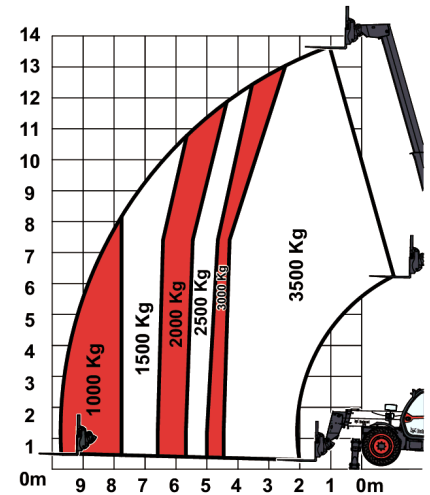
Fuel tank	145.00 L
Hydraulic reservoir	76.00 L

**Environmental**

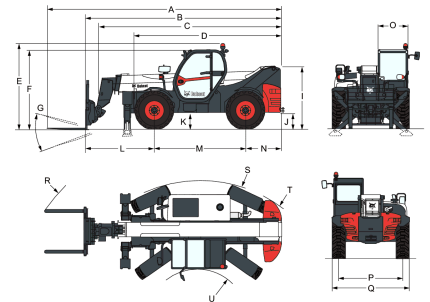
Operator noise level (LpA) (EN 12053)	76 dB(A)
Operator noise level (LpA) (EN 12053) uncertainty	4 dB(A)
Level of acoustic power (LWA)	106 dB(A)
Whole body vibration (EN 13059)	1.00 ms <sup>-2</sup>
Whole body vibration uncertainty (EN 13059)	0.30 ms <sup>-2</sup>

**Load Charts**

With forks and standard 400/80x24 tyres, on stabilisers



Complies with stability test EN1459 Annex B

**Dimensions**


(-)	857.0 mm	(L)	2151.0 mm
(A)	7313.0 mm	(M)	2850.0 mm
(B)	6108.0 mm	(N)	1107.0 mm
(C)	6052.0 mm	(O)	930.0 mm
(D)	4573.0 mm	(P)	1992.0 mm
(E)	2673.0 mm	(Q)	2418.0 mm
(F)	2480.0 mm	(R)	5640.0 mm
(G)	124.0°	(S)	4150.0 mm
(I)	1956.0 mm	(U)	1519.0 mm
(J)	509.0 mm		