



Bobcat[®]

One Tough Animal.

COMPACT EXCAVATORS

E26, E27z, E27

0-1t | 1-2t | 2-3t | 3-4t | 4-6t | 6-10t

🌐 Europe



INTRODUCTION

ONE TOUGH ANIMAL



BOBCAT'S HISTORY

In 1958, Melroe Manufacturing Company introduced a compact front-end loader that evolved quickly into the M400, the world's first true skid steer loader. The company soon adopted what became the world-famous 'Bobcat' brand – and its success paved the way for the global compact equipment industry we know today.

INNOVATION CENTER IN DOBRÍŠ

New technologies and machines are rigorously tested to take on the toughest jobs.



BOBCAT TODAY

Since developing Compact Excavators with Zero House Swing functionality in 1984, Bobcat has continued to innovate. Today, our equipment is known for providing all the power you need, where you need it, without any hassle.



OUR MISSION

We empower operators to accomplish more, while working in the toughest conditions and tightest situations. When our customers have the will, we provide the way.

BUILT AROUND THE OPERATOR

REDEFINING INDUSTRY STANDARDS

The Bobcat R-Series E26 – E27z – E27 are built around the operator to provide superior power, a roomy comfortable cab, easy operation, great visibility and amazing stability, while remaining compact.



Most spacious cab in this size category

TOPS/ROPS/FOPS Level 1 certified cab and canopy

Optional LED light system
P. 15

Full control of your surroundings – thanks to the great visibility through larger glass area and excellent ergonomics
P. 8

Metal covers that open and close effortlessly for easy maintenance
P. 10

Mechanically controlled Stage V engine with auto idling functionality

Hydraulic oil level visible from outside
P. 10

Heavy counterweight within zero tail profile
P. 7

Upper-structure tie-downs for easy transportation

Autoshift travel motors
P. 11

Protected underboom light

3D handle for easy entry and exit
P. 8

Reinforced boom cylinder guard
P. 10

Easy access to battery disconnection

Reinforced blade with floating function

Double protection for exterior hoses
P. 11

Up to 5 AUX lines to control most advanced attachments
P. 17

Optional object handling package
P. 16

Selection of factory-installed coupler systems
P. 14



PERFORMANCE
Increased power and controllability despite being lighter than the previous generation.



STABILITY
Best-in-class stability with all 3 concepts (zero house swing, minimal swing and conventional).



CONTROLLABILITY
The optimized hydraulic system and the new joysticks guarantee best-in-class controllability.



TRANSPORTABILITY
All 3 new Bobcat models are towable on most trailers in all configurations.

PERFORMANCE



► LIGHTER WITH MORE STABILITY

Heavier machines are more expensive, harder to transport and less fuel-efficient. Our latest Compact Excavators are compact and lightweight without compromising full 360° stability.

► SMOOTH POWER

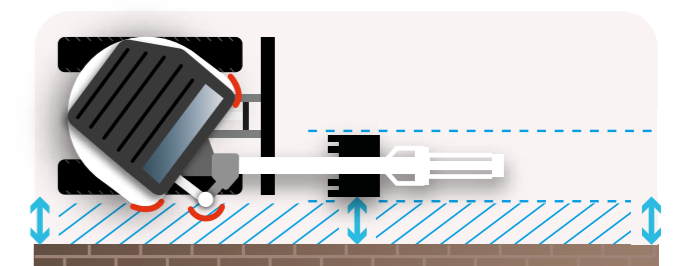
Exceptional combination of traditional Bobcat performance and best-in-class controllability. Bobcat equipment has always been made to go where the work is – our machines are highly maneuverable with simple, precise and intuitive controls, even at full power.



POWER WHERE YOU NEED IT

► RIGHT TOOL FOR THE JOB

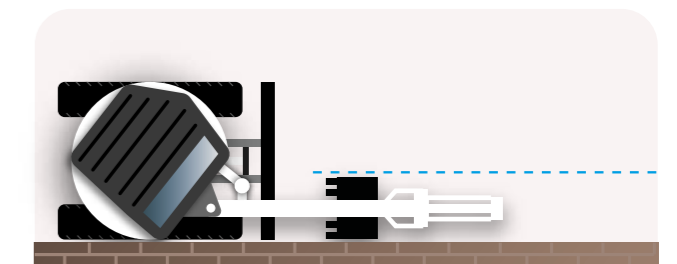
In backyards, urban areas and other tight job sites, a big machine means big challenges. Bobcat machines allow operators to work in constrained environments, in extreme proximity to walls and other challenging situations.



Zero Tail Swing (ZTS)

► ZERO HOUSE SWING – E27z

The Bobcat Zero House Swing (ZHS) concept enhances Zero Tail Swing (ZTS) functionality by further protecting the front upper-structure corners turning within the swing circle. The design also eliminates the protrusion of the boom swing cylinder during parallel digging.



Zero House Swing (ZHS)

STEP INSIDE



BUILT AROUND THE OPERATOR
 Clear and easy to reach, the display features an indicator for the automatic light switch-off function, optional keyless ignition and operational information.



IN ALL WEATHER CONDITIONS



Stay comfortable and focused on the job all year round with direct cab temperature control at your fingertips.

RADIO WITH CONNECTIVITY



Bobcat knows your job is tough. Tune into your favorite radio station and breeze through any task.

INSTRUMENT PANEL



A new enhanced instrument panel is now standard on all new Bobcat compact excavators.



BUILT TO LAST

► ENGINEERED TO PERFECTION

Feel the superior fit & finish down to the last bolt and screw. The exterior, covers, cab and canopy, controls and workgroup will exceed your expectations year after year. With durable construction and materials tested for endurance in extreme conditions, your business will keep moving forward.

► SMART MAINTENANCE

Always understand the condition of your machine thanks to a self-diagnostic system with clear error codes on the control panel display. Access all maintenance areas quickly thanks to a 2-piece floor mat, easily removable floor covers and side-by-side cooler placement for simple cleaning.

THERE'S NO TIME FOR DOWNTIME. STAND UP TO THE HARSHTEST CONDITIONS. DAY AFTER DAY.

► STANDARD WARRANTY

Bobcat develops every machine to the highest standards of quality and durability. That's the reason our standard warranty provides 24 months or 2000 operating hours (whichever occurs first) of coverage.



► PROTECTION PLUS EXTENDED WARRANTY

Enjoy total peace of mind with Protection Plus® extended warranty. Providing the same level of protection as the standard warranty, Protection Plus also reflects different customer needs and expectations by offering a choice of durations and annual operating hours. According to your needs, you can benefit from the coverage for up to 5 years or 6000 engine hours. And Protection Plus is transferrable – so it will likely increase your machine's resale value.



► BOBCARE

A long-running machine starts with proper planned maintenance, which helps protect against repair costs and unplanned failures when you count on your machine to work.

- Avoid risk by preventing major repairs and complete failures.
- Accomplish more by reducing downtime and increasing your productivity and profitability.



► MACHINE IQ

BOBCAT® Machine IQ Wireless Communications enhances the support for your Bobcat machine.

- Durable built-in monitoring electronics
- Data is available to our machine monitoring specialist
- Maintenance is optimized for your business
- Data-driven services maximize uptime

E26

► LIGHTER AND TOUGHER

- Perfect transport weight with cab: below 2.5 tons
- Innovative Cylinder Inside Boom for extra robustness
- Exceptional value for money



E27

► BETTER PERFORMANCE

- Unique combination of superior stability and class-leading digging force
- Transport weight below the weight limits for appropriate trailers
- Small tail overhang allows operation in confined spaces



CHOOSE YOUR ANIMAL

E27z

► MORE STABILITY AND COMFORT WITH ZHS

- Zero House Swing even with open door and heavy counterweight
- Largest cab on the market for this size of machine

As a true Zero House Swing (ZHS), the E27z offers the superior flexibility of movement when working close to walls, best-in-class 360° stability and a low transportation weight.



► CONQUER EVERY CHALLENGE



STANDARD EQUIPMENT & OPTIONS

	E26	E27z	E27
PERFORMANCE			
A-SAC package (tilt coupler hydraulic lines – AUX4 & Deluxe display)	–	•	•
Adjustable double acting auxiliary hydraulic (AUX1) with quick couplers	✓	✓	✓
AUX1 direct return to tank	•	•	•
AUX1/AUX2/drain located on arm	•	•	•
AUX2 hydraulics	•	•	•
Blade float feature	✓	✓	✓
Bucket diverter valves – AUX3 kit	–	•	•
Case drain line kit	•	•	•
Clamp ready	–	✓	✓
AUX1 diverter valve for clamp	–	•	•
Dual Direction Detent	✓	✓	✓
Engine/hydraulic monitor with shutdown	✓	✓	✓
Hydraulic coupler lines – AUX5	•	•	•
Long dipperstick	–	•	✓
Object handling package (boom and arm load holding valves, OWD, lifteye)	✓	✓	✓
Proportional fingertip auxiliary and boom swing offset hydraulic control	✓	✓	✓
Special application kit	•	•	•
CAB & CANOPY			
AM/FM/DAB+ with 2 ways BT phone call ready	•	•	•
Comfort package cab (cloth suspension seat, deluxe display)	–	•	•
Comfort package plus cab (heated suspension seat, deluxe display)	–	•	•
Cupholder	✓	✓	✓
Deluxe cloth suspension seat**	•	•	•
Heated suspension seat***	–	•	•
Foldable and ergonomic pedals	✓	✓	✓
Keyless ignition	•	•	•
Retractable seat belt	✓	✓	✓
Seat with high back	✓	–	–
Storage compartment	✓	✓	✓
Suspension seat with high back	•	✓	✓
TOPS/ROPS/FOPS cab with heater*	•	•	•
TOPS/ROPS/FOPS canopy*	✓	✓	✓



Steel tracks

	E26	E27z	E27
LIGHTS & BEACON			
Additional LED lights	•	•	•
Beacon	•	•	•
LED work light	✓	✓	✓
MISCELLANEOUS			
1500 mm dozer blade	✓	–	–
1550 mm dozer blade	–	✓	✓
Auto idle	•	•	•
Battery disconnect switch	✓	✓	✓
Control console locks	✓	✓	✓
Cylinder covers kit	✓	✓	–
Grease gun set (gun + holder in machine)	•	•	•
Heavy counterweight	–	•	•
Horn	✓	✓	✓
Full fuel warning alarm	✓	✓	✓
L/R mirrors	•	•	•
Machine IQ (telematic)	✓	✓	✓
Refill pump	•	•	•
Travel motion alarm	•	•	•
Upper structure 4–point tie down	✓	✓	✓
Water separator	✓	✓	✓
TRACKS & TRAVEL			
2-speed travel with Auto shift	✓	✓	✓
250 mm rubber tracks	✓	–	–
300 mm rubber tracks	–	✓	✓
Steel tracks	–	•	•

• = option/kit ✓ = standard

*Roll Over Protective Structure (ROPS) – Meets requirements of ISO 3471.
Tip Over Protective Structure (TOPS) – Meets requirements of ISO 12117.
Falling Object Protective Structure (FOPS) – Meets requirements of ISO 3449.

**Part of comfort package for E27z and E27

***Part of comfort package plus for E27z and E27



AM/FM stereo radio

PERSONALIZE YOUR MACHINE

Sometimes, we all want to add a specific functionality or a personal touch to the machine. Choose from a list of comprehensive options and customize your compact excavator to your heart's content!



TOPS/ROPS/FOPS cab with heater



1st AUX hydraulic on arm 2nd AUX hydraulics Additional lights (2+1)



Beacon Fire extinguisher Long dipperstick



Clamp ready Bucket cylinder cover Arm cylinder cover



MULTI-TOOL CARRIER

BOBCAT ATTACHMENTS

Get more versatility and efficiency with Bobcat® attachments.

- The largest choice of attachments in the industry.
- Match performance to your Bobcat machine.
- Work harder with stronger components and construction.
- Rest easy with the 12-month warranty on every genuine Bobcat attachment.

ATTACHMENTS	E26	E27z	E27
Auger	•	•	•
Bobcat hydraulic pin grabber coupler	•	•	•
Breaker	•	•	•
Clay spade bucket	•	•	•
Digging buckets	•	•	•
Flail mower	•	•	•
Grading buckets	•	•	•
Hydraulic clamps		•	•
Hydraulic Lehnhoff type coupler (HS03)	•	•	•
Hydraulic Lehnhoff type coupler (HS03) with tilt function		•	•
Klac coupler	•	•	•
Laser equipment	•	•	•
Mechanical Lehnhoff type coupler (MS03)	•	•	•
Mechanical Lehnhoff type coupler (MS03) with tilt function	•	•	•
Skeleton buckets	•	•	•
Tilt buckets	•	•	•



Tilt buckets



Clamps



Flail mower



Augers



Skeleton buckets



Trenching buckets



Breakers



Hydraulic pin grabber



VERSATILITY

Up to 5 independent hydraulic auxiliary circuits:

- AUX1 – general purpose
- AUX2 – supporting functions (rotation)
- AUX3 – clam shell bucket (bucket diverter)
- AUX4 – tilting coupler control
- AUX5 – hydraulic coupler control

New 'Selectable Auxiliary Control' (SAC) system allows for control pattern customization and optimal attachment fit (integral part of AUX4 option)

- Selectable boom or arm mounted auxiliaries
- Geith, Klac and Lehnhoff hydraulic coupler option
- Lehnhoff type couplers with optional tilting adapters

Selectable
Auxiliary
Control

Actual attachment compatibility may vary based on different machine configurations. Contact your dealer for actual attachment compatibility.

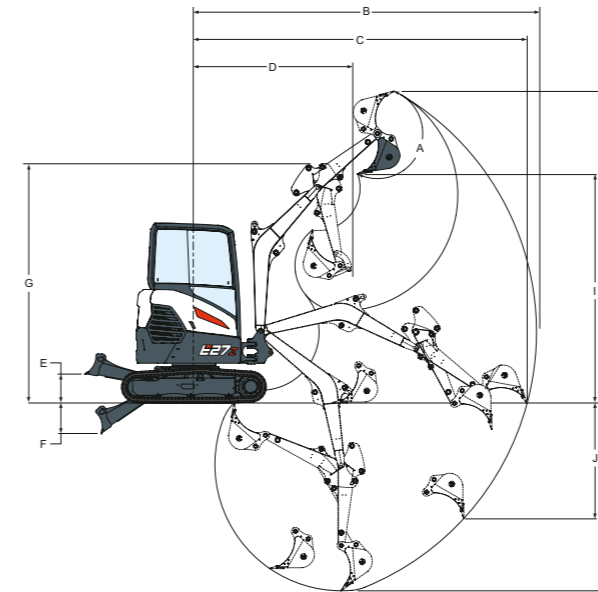
SPECIFICATIONS

SPECIFICATIONS			
	E26	E27z	E27
WEIGHTS			
Operating weight with cab and bucket (ISO 6016)	2 608 kg	2 705 kg	2 683 kg
Transport mass (no attachment)	2 477 kg	2 571 kg	2 549 kg
Weight reduction with canopy	-118 kg	-118 kg	-118 kg
Additional weight for long dipperstick	-	14 kg	-
Additional weight for heavy counterweight	-	91 kg	147 kg
Additional weight for steel tracks	-	130 kg	130 kg
Ground pressure with rubber tracks	30.3 kPa	25 kPa	26.2 kPa
ENGINE			
Make / model	Yanmar / 3TNV76-PBC (Stage V)		Kubota / D1305-E4B (Stage V)
Fuel	Diesel		
Number of cylinders	3		
Displacement	1 116 cm ³	1 261 cm ³	
Maximum power @ 2400 rpm (ISO 14396)	14.9 kW	18.3 kW	
Maximum torque @ 1800 rpm (SAE J1995)	66.3 Nm	81.3 Nm	
PERFORMANCE			
Digging force, dipperstick (ISO 6015)	15 690 N	16 200 N	16 030 N
Digging force, long dipperstick (ISO 6015)	-	13 470 N	-
Digging force, bucket (ISO 6015)	23 720 N	26 520 N	
Drawbar pull	29 080 N	29 023 N	28 949 N
Travel speed, low range	2.5 km/h	3 km/h	
Travel speed, high range	4.3 km/h	5.1 km/h	
HYDRAULIC SYSTEM			
Pump type	Dual outlet variable displacement piston pump with gear pumps		
Total hydraulic capacity	94.25 l/min		
Piston pump capacity	2 × 33.75 l/min		
Gear pump 1 capacity	20 l/min		
Gear pump 2 capacity	6.75 l/min		
Auxiliary (AUX1) flow	53.75 l/min		
Auxiliary (AUX1) relief	180 bar		
Auxiliary (AUX2) flow	20 l/min		
Auxiliary (AUX2) relief	179 bar		
SLEW SYSTEM			
Boom swing, left	60°	70°	
Boom swing, right	60°	55°	
Slew rate	9.3 RPM		
FLUID CAPACITIES			
Fuel reservoir	34.4 l		
Hydraulic reservoir	10.2 l		
ENVIRONMENTAL			
Noise level LpA (EU Directive 2006/42/EC)	80 dB(A)	79 dB(A)	78 dB(A)
Noise level LWA (EU Directive 2000/14/EC)	93 dB(A)		94 dB(A)
Whole body vibration (ISO 2631-1)	0.11 ms ⁻²	0.18 ms ⁻²	0.13 ms ⁻²
Hand-arm vibration (ISO 5349-1)	0.50 ms ⁻²	0.51 ms ⁻²	0.44 ms ⁻²

Certain specifications are based on engineering calculations and are not actual measurements. Specification(s) are provided for comparison purposes only and are subject to change without notice. Specification(s) for your individual Bobcat equipment will vary based on normal variations in design, manufacturing, operating conditions, and other factors. Pictures of Bobcat units may show other than standard equipment.

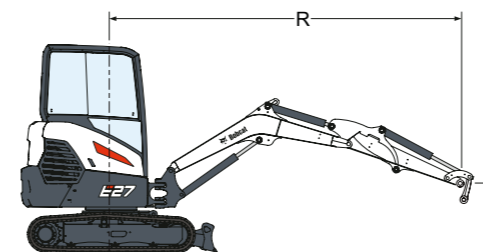
SPECIFICATIONS

WORKING RANGE

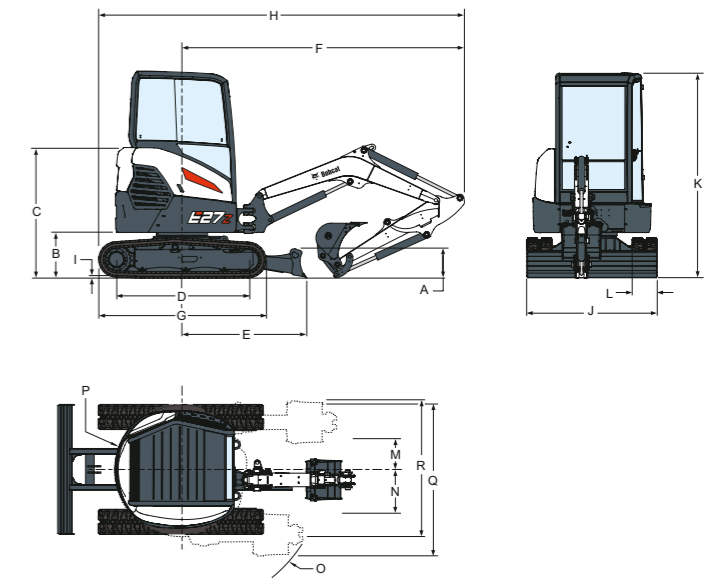


	E26	E27z	E27		E26	E27z	E27
A	185°	185°	185°	G	3 104	3 247	3 240
B	4 542	4 644	4 721	H	4 006	4 230	4 429
B*	-	4 931	-	H*	-	4 430	-
C	4 413	4 518	4 604	I	2 845	3 043	3 243
C*	-	4 814	-	I*	-	3 243	-
D	2 052	2 131	1 924	J	1 474	1 567	1 825
D*	-	2 135	-	J*	-	1 818	-
E	385	385	346	K	2 568	2 547	2 847
E**	-	-	385	K*	-	2 847	-
F	420	420	302				
F**	-	-	420				

Unit: mm
 *long dipperstick option
 **long blade option
 ***heavy counterweight option



DIMENSIONS



	E26	E27z	E27		E26	E27z	E27
A	319	319	319	K	2 438	2 438	2 438
B	539	539	539	L	250	300	300
C	1 540	1 540	1 540	M	580	565	393
D	1 543	1 543	1 543	N	705	773	576
E	1 462	1 462	1 245	O	1 755	1 726	1 575
E**	-	-	1 462	P	820	785	995
F	3 192	3 343	3 135	P*	840	-	-
G	1 965	1 965	1 965	P***	-	-	1 055
H	4 174	4 325	4 079	Q	1 741	1 808	1 808
H***	-	-	4 190	Q***	-	-	1 868
I	21	21	21	R	1 616	1 599	1 731
J	1 500	1 550	1 550	R***	-	-	1 791
Boom length					-	2 100	2 100
Standard arm length					-	1 100	1 400
Optional arm length (arm pivot to bucket pivot)					-	1 400	-

LIFTING CAPACITIES – RATED LIFT CAPACITY AT 3000 MM LIFT RADIUS [R] (KG)

LIFT POINT HEIGHT [H]	OVER BLADE, BLADE UP			OVER SIDE, BLADE UP		
	E26	E27z	E27	E26	E27z	E27
2000 mm	535*	492*	609*	417	492*	609*
1000 mm	481	566	546	395	474	567
Ground	470	549	547	382	453	560
-1000 mm	479	568	569	392	451	563

*Rated hydraulic lift capacity. The lifting capacities are based on ISO 10567 and do not exceed 75% of the static tilt load of the machine or 87% of the hydraulic lifting capacity of the machine.

FINANCING OPTIONS

24, 36, OR 48 MONTH FINANCING*

Take advantage of 24, 36 or 48 month financing programs starting from **0% interest** and improve your cashflow. Ask your dealer for the financing offers available.

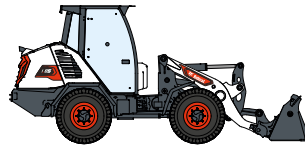
100 MACHINES / 150 ATTACHMENT FAMILIES / 1 TOUGH ANIMAL



**SKID STEER
LOADERS**



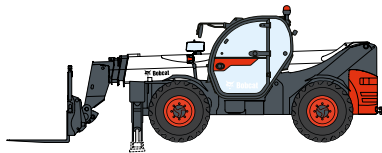
**COMPACT TRACK
LOADERS**



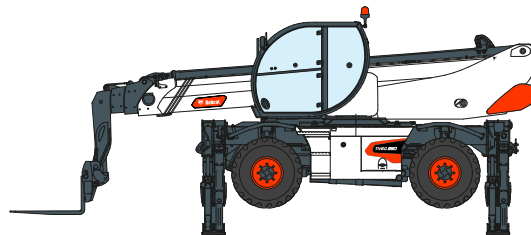
**COMPACT WHEEL
LOADERS**



**SMALL ARTICULATED
LOADERS**



TELEHANDLERS



**ROTARY TELESCOPIC
HANDLERS**



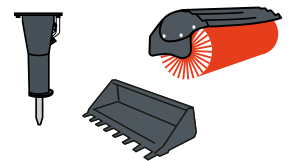
**LIGHT COMPACTION
EQUIPMENT**



**MINI TRACK
LOADER**



COMPACT EXCAVATORS



ATTACHMENTS

DOOSAN

www.bobcat.com

Bobcat is a Doosan Company. Doosan is a global leader in construction equipment, power & water solutions, engines, and engineering proudly serving customers and communities for more than a century. | Bobcat and the Bobcat logo are registered trademarks of Bobcat Company in the United States and various other countries. ©2024 Bobcat Company. All Rights Reserved.

©2024 BOBCAT B4501724-EN (09-24)



Bobcat®

*Financing options may vary by country and dealer. Always ask your dealer about currently available financing options. Terms and conditions may apply.

Doosan Bobcat EMEA, U Kodelky 1810, 263 12 Dobříš, Czech Republic